

The CP-884C remote control is intended for use in Ivie LDS meetinghouse audio systems. The CP-884C provides the remote control functions for the Chapel portion of the system and replaces the CP-884. Connection to the CP-884C is by means of an RJ45 connector.

A five LED bargraph indicates the current level setting.

The connection to the podium Up/Down controls is via a three pin euro-block connector. The CP-884C provides a switched +24Vdc to the podium.

Specifications

Electrical: LED 24Vdc
All switches - SPST momentary
Podium Up/Down supplies +24Vdc

LED Level indicator

Physical: Color - Brown & Gold
Size - W 2.5 in H 6.0 in
(no escutcheon supplied)

CP-884C connection to Ivie 884-IF

The CP-884C provides a **switched +24Vdc** to activate the pulpit relays.

IMPORTANT Jumper setting

The CP-884C is used with either the 884+ or 1026 Ivie mixers. As shipped from the factory a jumper is installed which allows the CP-884C to be used with the 1026. Remove the jumper if the CP-884C is to be used with the 884+ mixer.

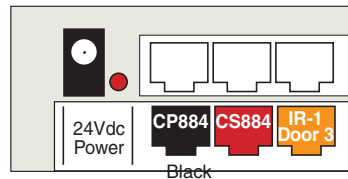
JUMPER INSTALLED
for use with 1026



JUMPER REMOVED
for use with 884+



1026-IF or 884-IF



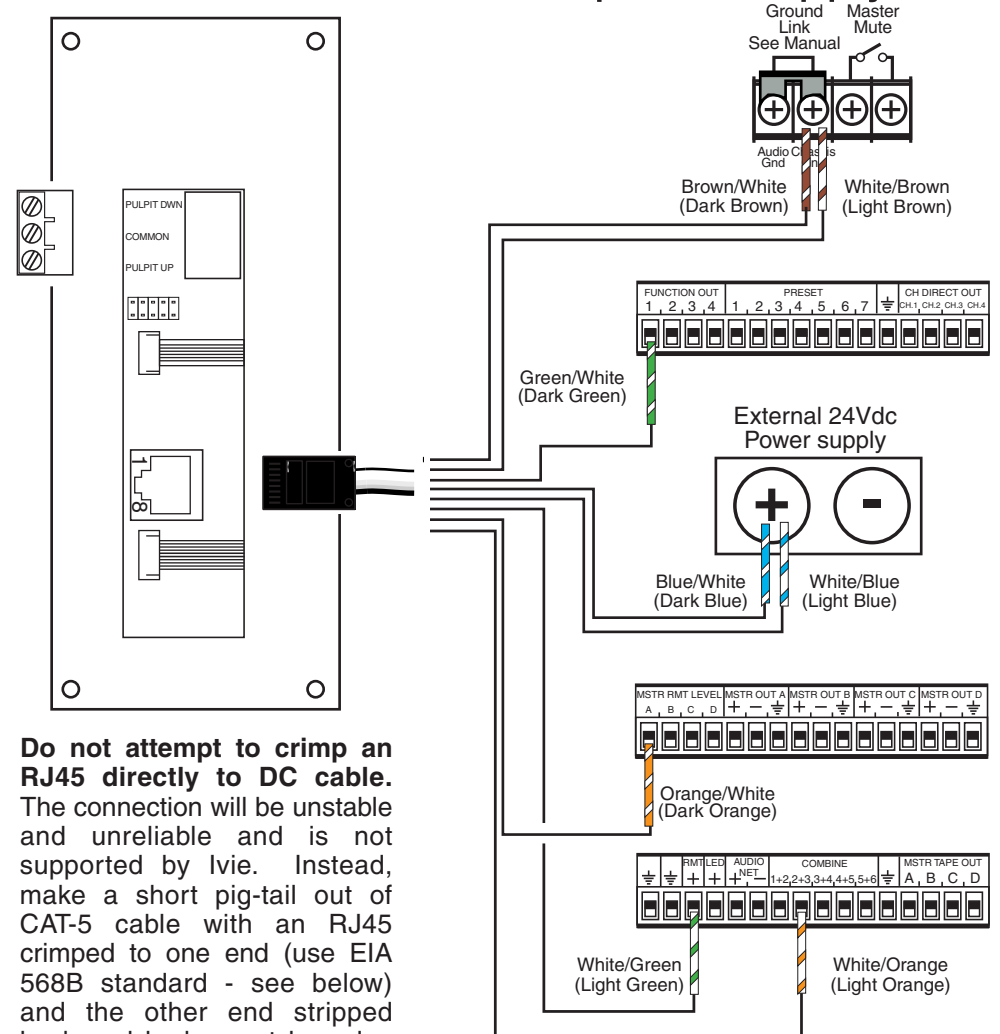
Wiring between the CP-884C and the 884-IF is accomplished using a conventional CAT-5 cable conforming to the EIA 568B standard.

EIA/ 568B Color Code for RJ45

8		Brown/White
7		White/Brown
6		Green/White
5		White/Blue
4		Blue/White
3		White/Green
2		Orange/White
1		White/Orange

Contact side showing
Tab on back

CP-884C connection to Ivie 884+ and external 24Vdc power supply



Do not attempt to crimp an RJ45 directly to DC cable. The connection will be unstable and is not supported by Ivie. Instead, make a short pig-tail out of CAT-5 crimped to one end (use EIA 568B standard - see below) and the other end stripped back and broken out by color. Connect the pig-tail to the DC cable by means of small wire nuts or other gas-tight, reliable connection.